

Specification of: RDA 21-1822-EC-SE

Radial roof fan with pressure control

with swirl free horizontal directed discharge for gas medium up to app. +40 °C. Stylish casing and base frame with intake nozzle made of galvanized steel sheet Flange connection at intake acc. to DIN 24155-2 Discharge outlets protected from the weather with an aerodynamically shaped grille. High performance centrifugal impeller with backward curved blades, mounted on the rotor of a variable speed external EC-motor, protected to IP 44, totally maintenance free. Performance data in according DIN 24166 tolerance class 2 (BS 848 Class "B"). With isolator and digital pressure control unit ERA 05-0500-5E, pressure range 0 to 500 Pa. Simplified, menu-driven parameterisation, wired and ready for connection. Possible operating modes: Day-/night operation, Analog interface 0-10V, internal operation monitor, standardised measured value output. Meets the efficiency requirements of Regulation EU1253/2014 for ventilation units.

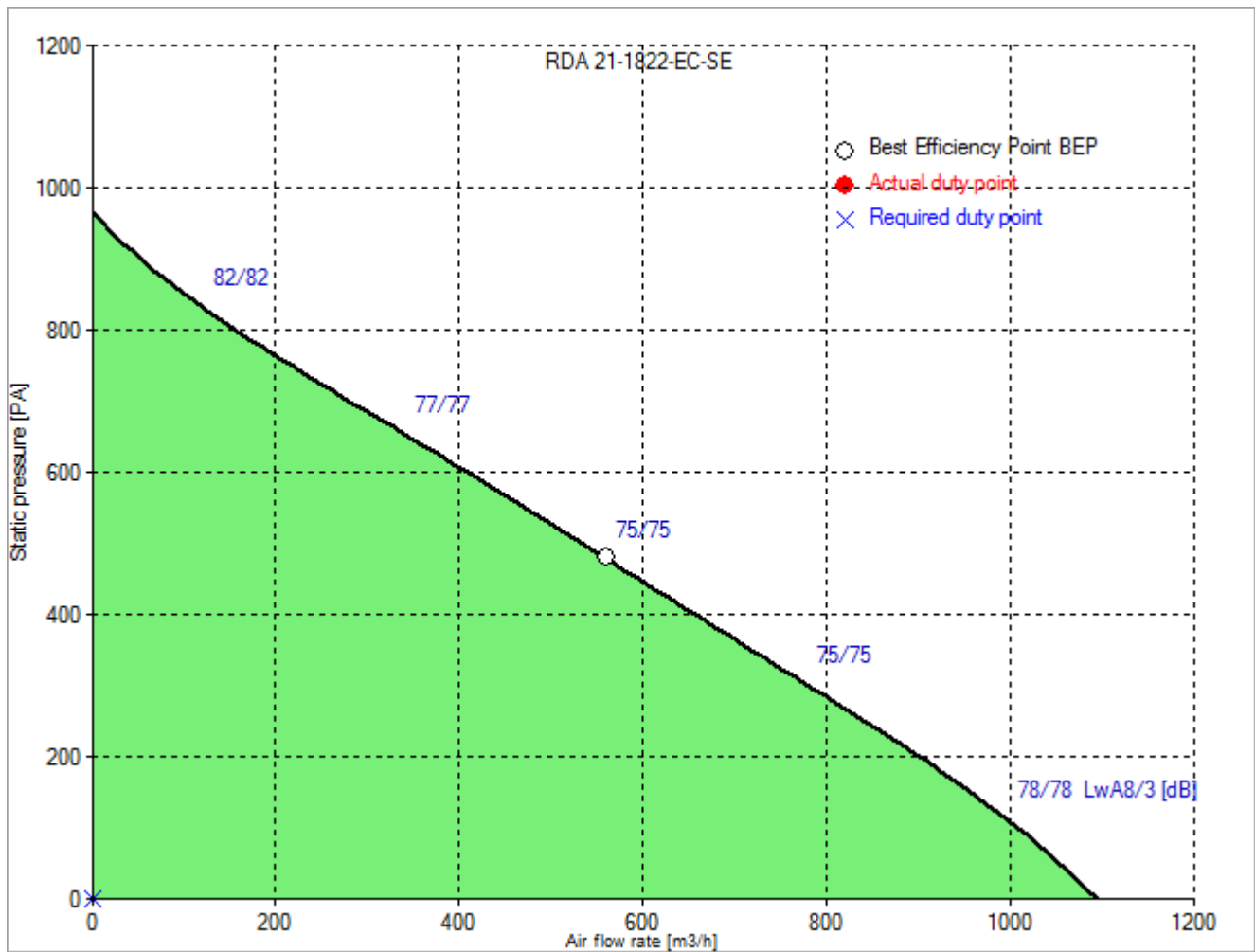


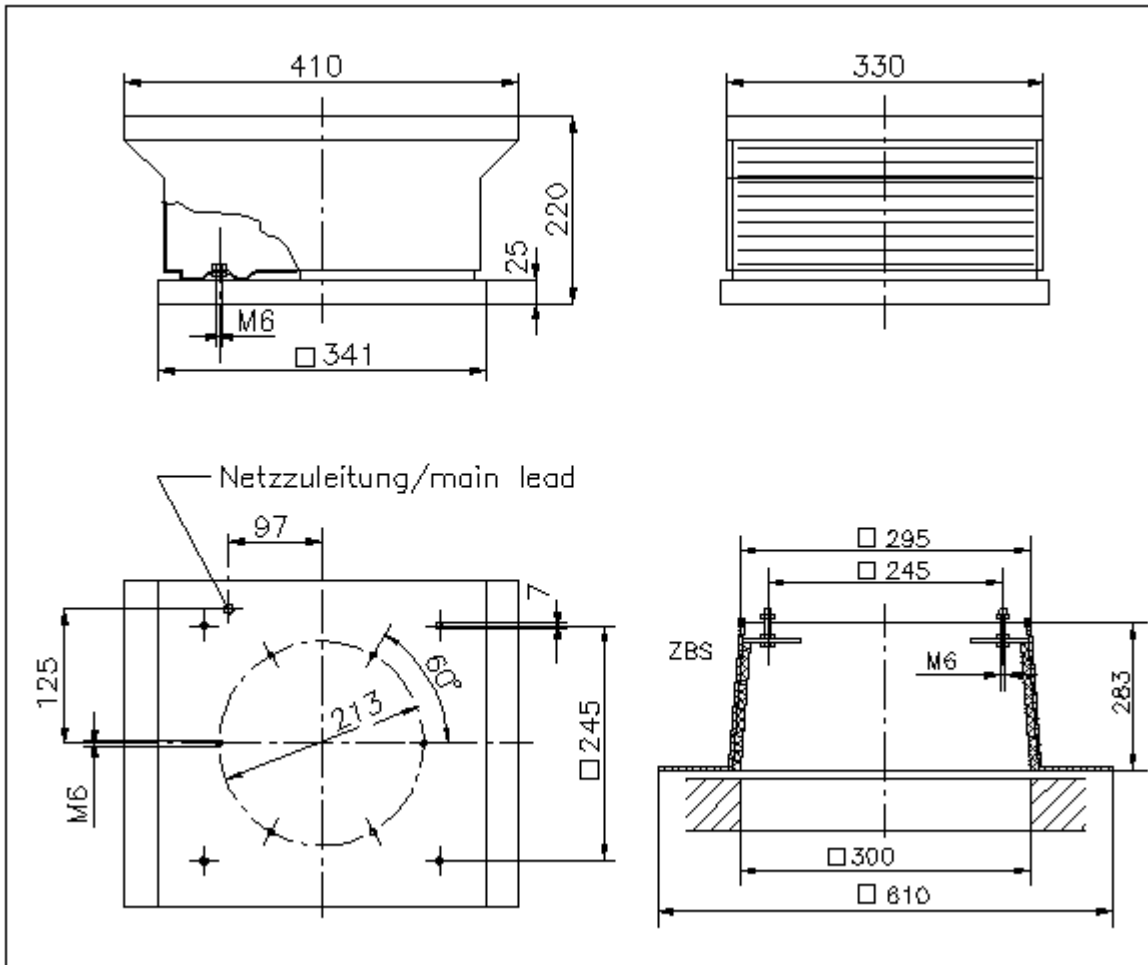
Technical data of the fan: RDA 21-1822-EC-SE

[fulfills the ErP requirements 2018 at BEP](#)

Description	Value Dimension
Specified duty point	
Actual duty point	
Installation acc. DIN 24163 Part 1	A
Reference density (Rho1)	1.20 kg/m ³
Medium temperature (t)	20 C
Fan weight	7 kg
<small>This duty point can only be reached by using an inverter/controller for motor speed control!</small>	
Rated data	
Phases-Voltage-Frequency	1~230-50/60 V-Hz
Rated motor speed (n _N)	3160 min ⁻¹
Rated motor current (I _N)	1,5 A
operational limits	
Max. absorbed power (P _{1max})	0.17 kW
Max. fan speed (n _{vmax})	3690 min ⁻¹
Temperature range of conveying medium (t _{min} ... t _{max})	-20...60 C

Fan curve to RDA 21-1822-EC-SE

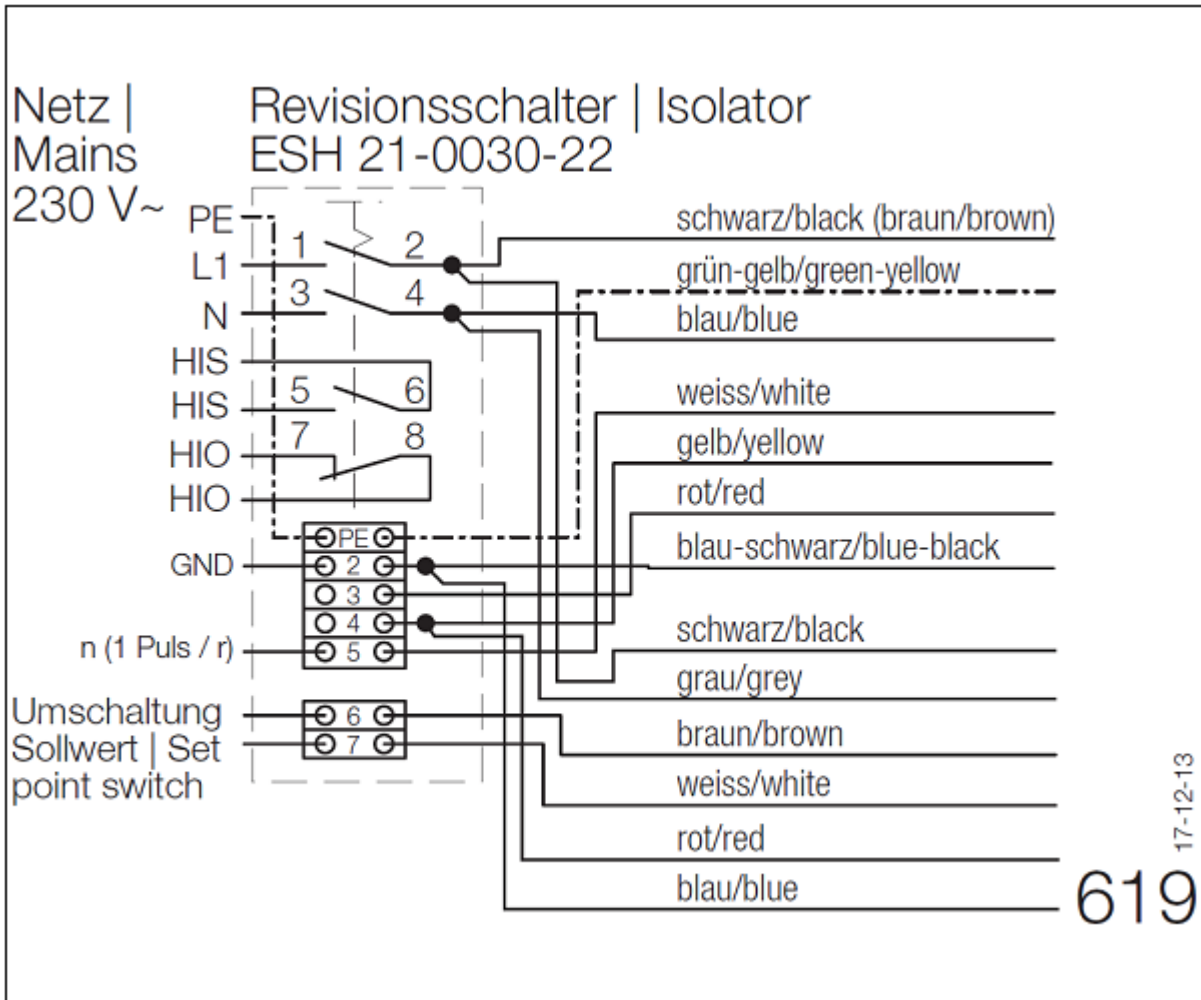




Rotation:
Handing:

RD
90

Wiring diagram of the fan RDA 21-1822-EC-SE



Wiring diagram for connection to: [mains - service switch - motor](#)
 Rotation: [RD](#)